

On-Site Balancing

When your equipment seems to be running rough, or needs bearing replacements too often, call us. We will put our expertise to work for you to troubleshoot your machine, isolate the real problem, and if required, balance it.

We have learned that when our customers ask to have a machine balanced, what they are really saying is, "Make it run smoother". With this in mind, our analysts tackle each job

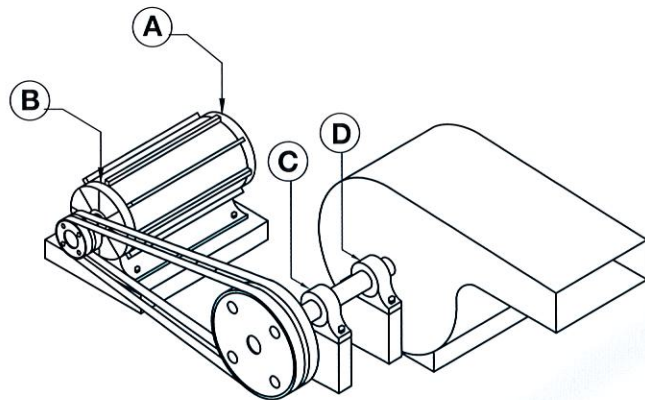
to meet this goal. The whole machine is checked and analyzed for problems such as poor belt drive, misalignment, bearing condition, looseness, mountings, unbalance, lubrication effectiveness and much more. In most instances we correct the problem immediately.

If the root cause lies outside of the scope of corrective work normally provided by Vibtech, we will provide you with specific written recommendations.

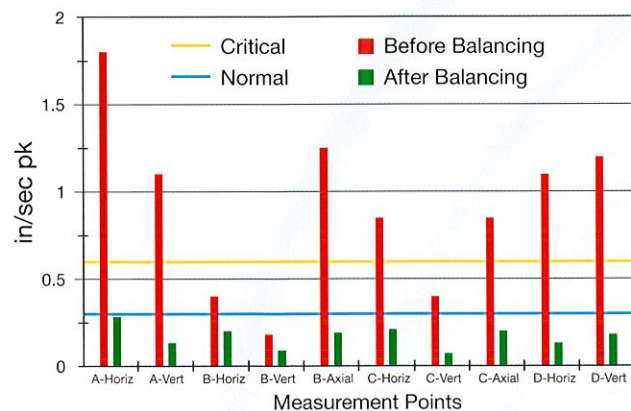


On-site machine balancing offers:

- *Less Downtime than Shop Balancing*
- *Increase Productivity*
- *Troubleshoots Entire Machine*
- *Reduces Wear on Machine Components*
- *Lowers Vibration Levels*
- *Isolates 'Root Cause' of Problem*
- *Lower Total Repair Costs*



Typical Fan - Measurement Points



Typical Fan - Overall Vibration Levels